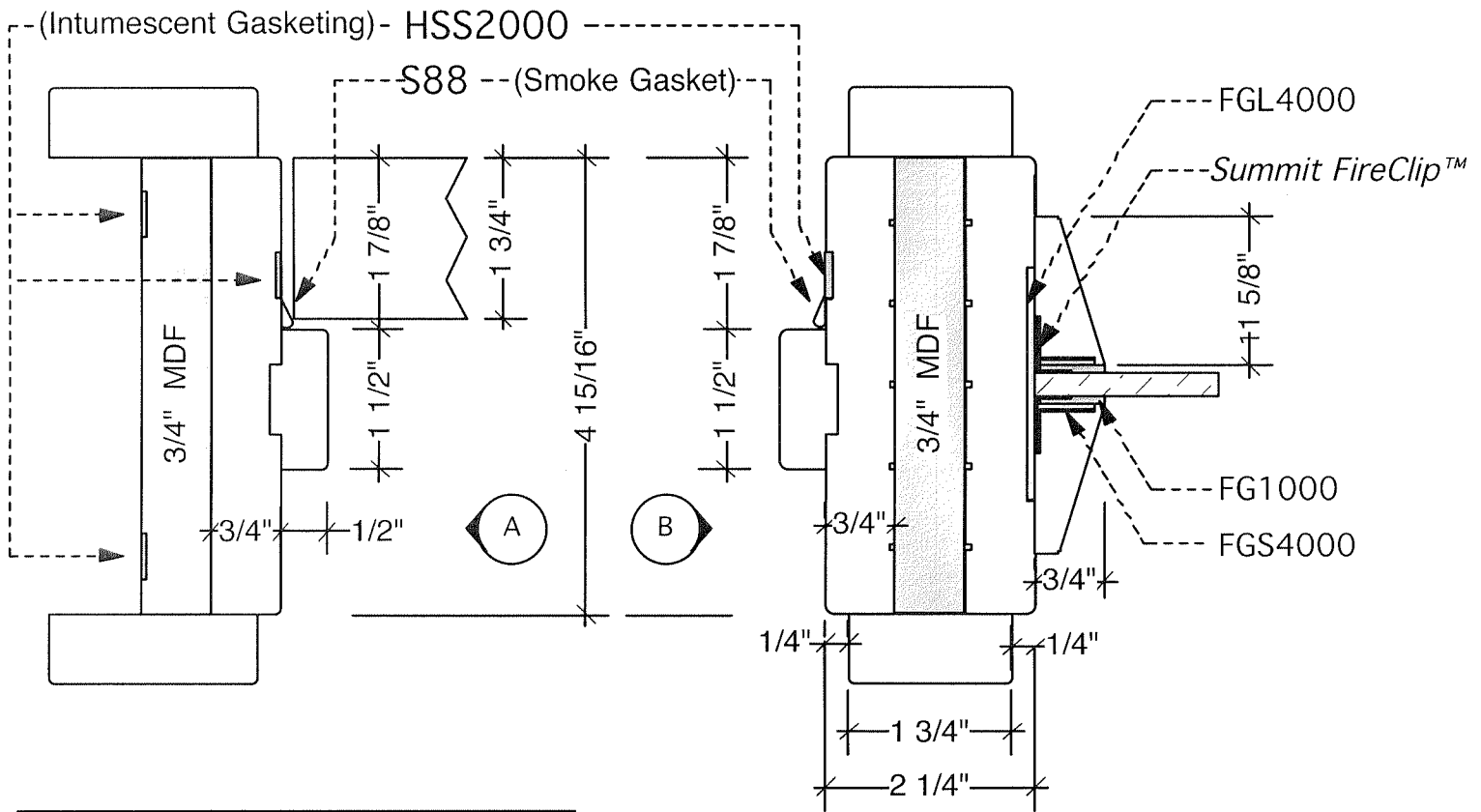


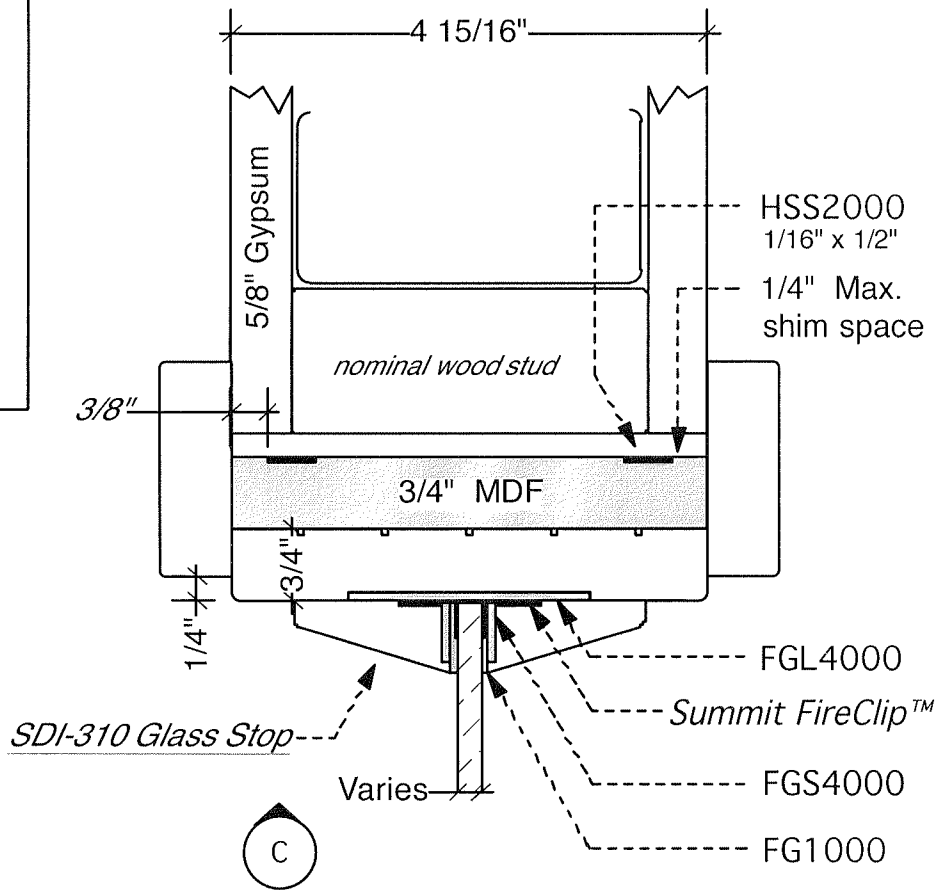
Notes: 4-15/16" Jamb - Minimum  
 3/4" Gasketed MDF @ Side & Head Jambs  
 45 Minute Label  
 \* See Glass Size Requirements

<i>Summit Door, Inc.</i>
Client:
Job name: 45 Min. Label
P.O.#:
Drawing by: JB
Date: 11/10/08
Scale: 3/4"
Drawing: 1 of 3



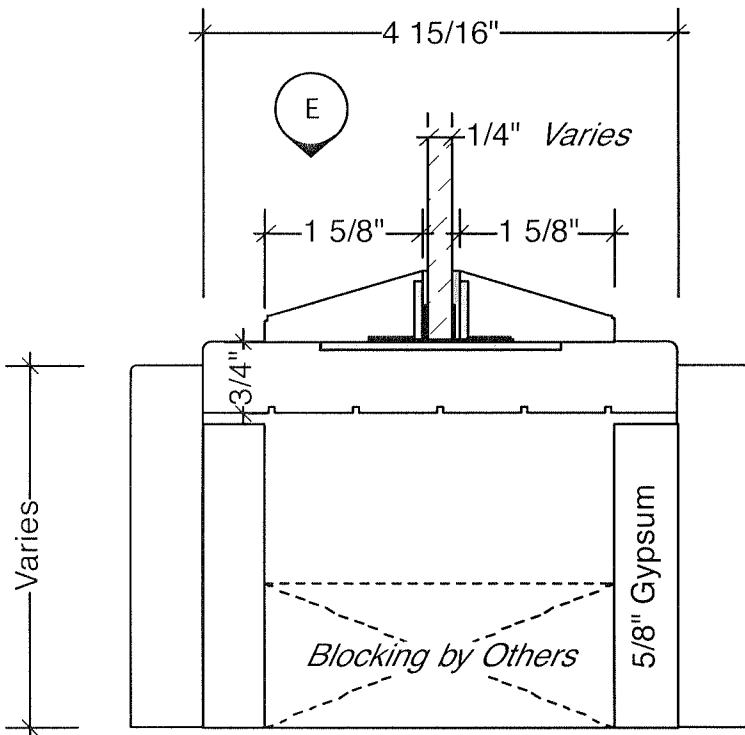
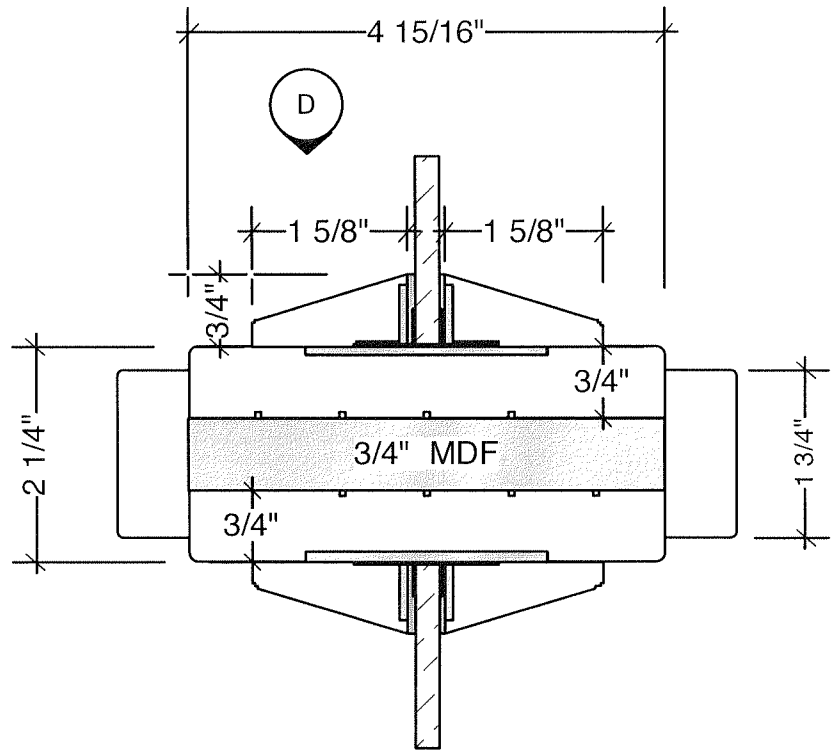
\*  
 Side Light / Borrowed Lite /  
 Transom frames cannot  
 exceed 2996 sq. inches

Max. Net Opening is:  
 31-7/8" x 94"



**Summit Door, Inc.**

**Client:**  
**Job name:** 45 Min. Label  
**P.O.#:**  
**Drawing by:** JB  
**Date:** 11/10/08  
**Scale:** 1:2  
**Drawing:** 2 of 3



**Summit Door, Inc.**  
 Client:  
 Job name: 45 Min. Label  
 P.O.#:  
 Drawing by: JB  
 Date: 11/10/08  
 Scale: 1:2  
 Drawing: 3 of 3