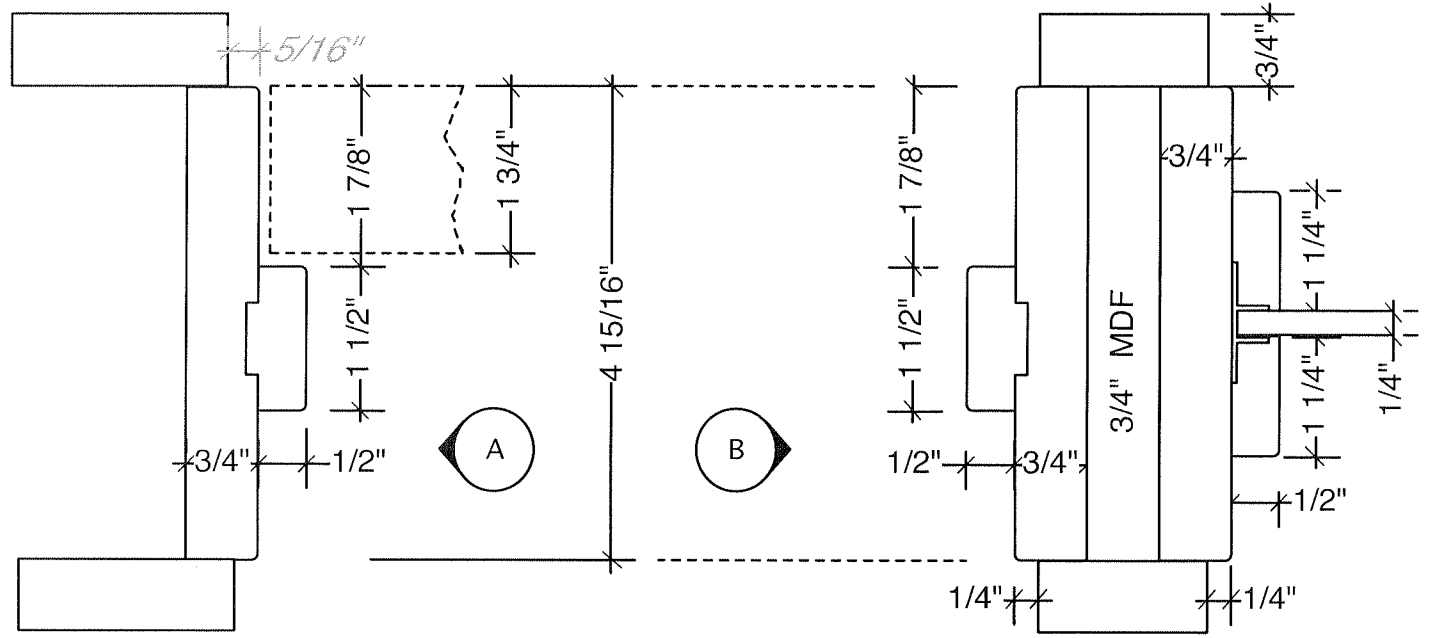
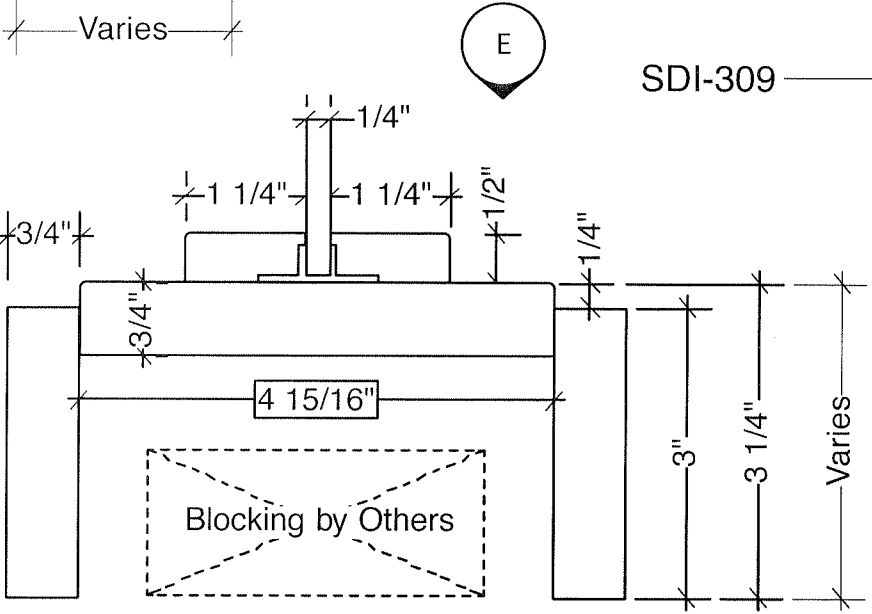
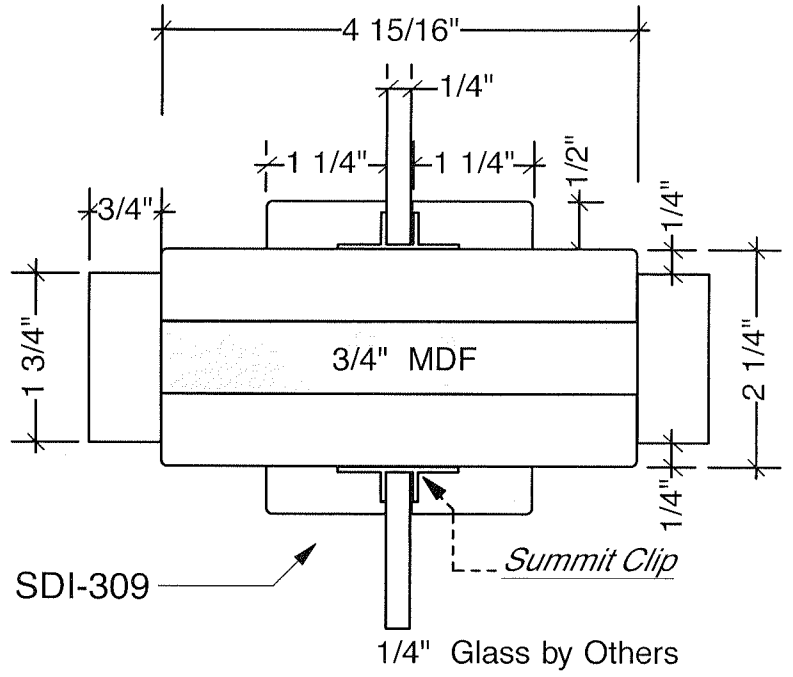
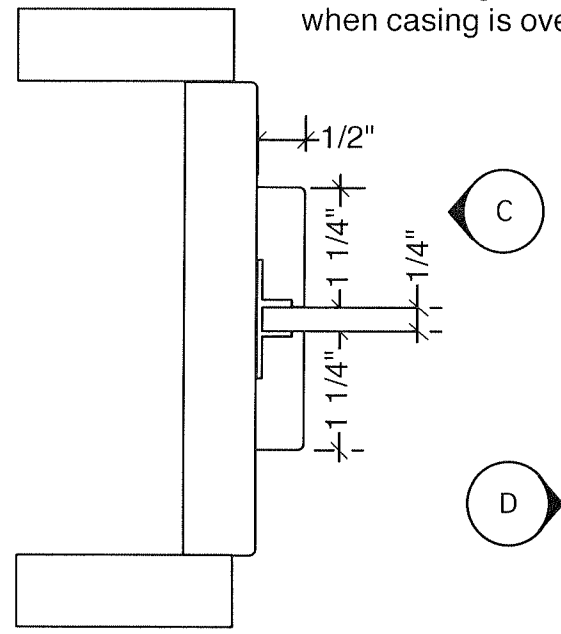
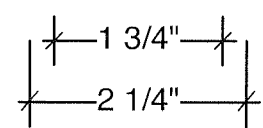


Notes:
 Boxed Text = Inside Measurement (ISM)
 Jamb Width / Specie
 Glass by Others
 20 Minute Label

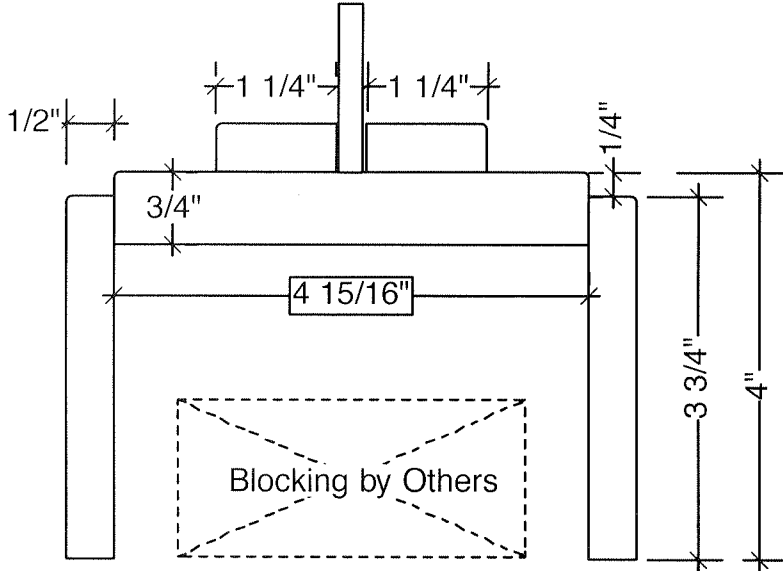
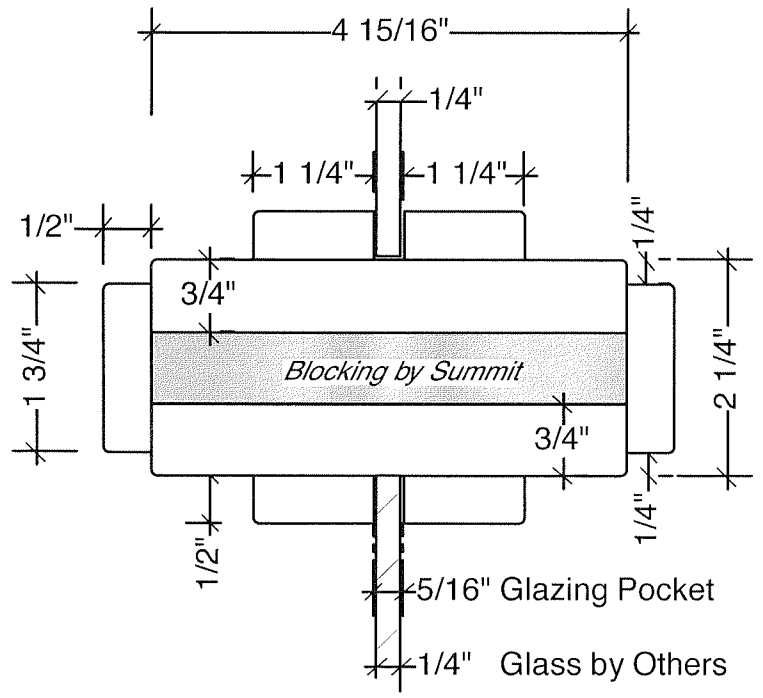
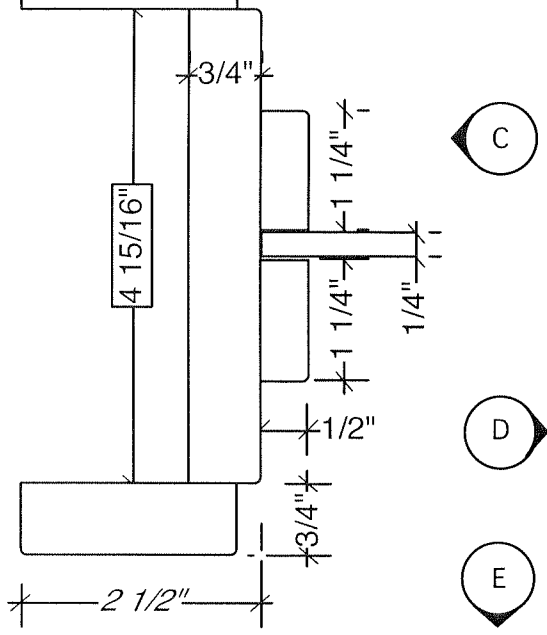
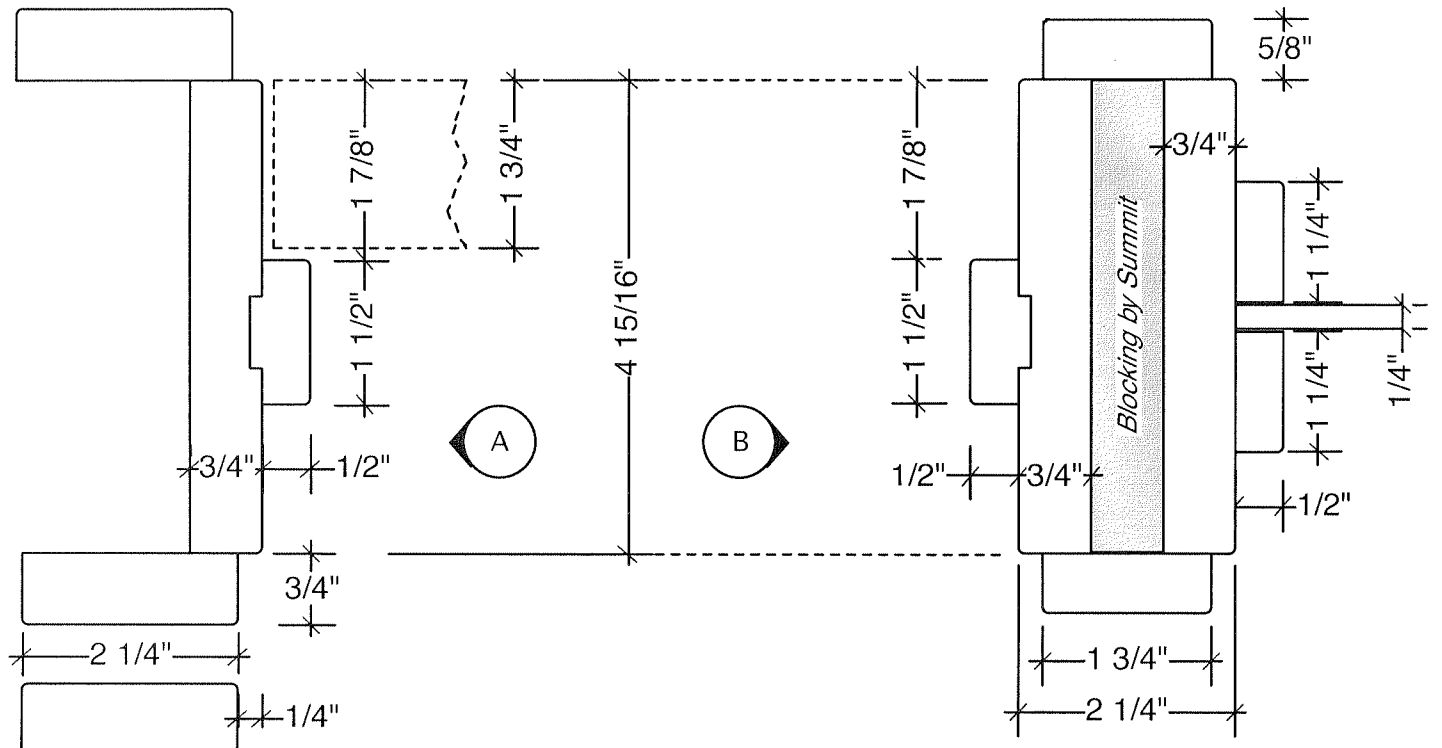
<i>Summit Door, Inc.</i>
Client: Generic Job name: 20 Minute Label P.O.#: Drawing by: J B Date: 2/1/06 Scale: 3/4" Drawing #: Drawing: of



Note: Casing Margin @ Hinge Side is 5/16" when casing is over 1/2" thick (for clearance)



Summit Door, Inc.	
Client:	Generic
Job name:	20 Minute Details
P.O.#:	
Drawing by:	Jim Bauer
Date:	
Scale:	
Drawing #:	
Drawing:	of



Summit Door, Inc.